



WT G4SG

SMART DIAPHRAGM
GAS METER

Description

The WT G4SG meter, which meet the requirements of the Electrical and Gas Authority's ARG/gas 155/08 resolution, combine the reliability of the mechanical measurement principle with deformable walls with state-of-the-art electronic technology, developed with inherent security, which allows the execution of totaling functions under the basic conditions, display, logging and communication as required by UNI CIG 11291. The WT G4xx product is therefore a hybrid gas meter compensated in temperature. It is equipped with a system of conversion of gas volumes in temperature, managed by a micro with its firmware. The realization was made using a basic and 1 flat electronic board containing the temperature sensor and connections for the gas flow interception valve. The data transmission is SMS/GPRS/GSM for the G4SG WT model.

Mechanical counter with deformable walls

The volume measurement module is a mechanical counter with deformable walls with magnetic transmission to the totalizer. The measurement group has a cyclical volume of 1.2L and rotating drawer. The powder-painted galvanized, powder-painted aluminium case with riveted bindings and 1"1/4 GAS threading with 110 mm axis.

Shut-off valve

The interception valve is a ball valve with total passage. The valve drive is controlled reotely, and is made via an engine step with cue current < 60 mA. The opening/closing time of the valve is about 10 s. With the valve closed, the draw is less than 1L/h.

T sensor

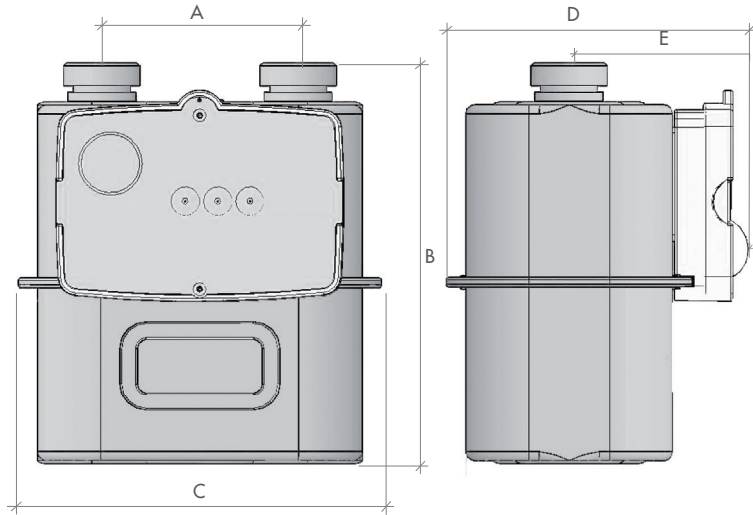
It's a digital T sensor with a resolution of 0.5 degrees Celsius, not susceptible to calibration. It is placed on a special card inside the metal case of the meter and placed in direct contact with the gas that flows inside the meter.

Technical Data

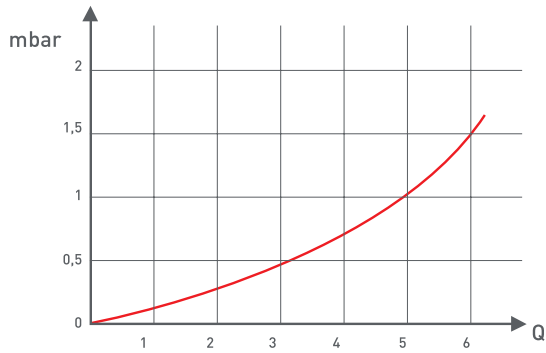
Gas meter model	G4SG
Operating pressure	Max 0,5 Bar
Operating temperature	- 25°C ÷ +55°C
Temperature measurement range	- 25°C ÷ +55°C
Display	Alphanumeric multisegment LCD with icons
Control panel	3 button keypad
Maximum capacity Qmax (m ³ /h)	6
Minimum capacity Qmin (m ³ /h)	0,04
Cyclic volume (dm ³)	1,2
Transitional Range Qt (m ³ /h)	0,6
Communication interface	optical interface (IEC 62056-21), modem GPRS or NB-IoT
Battery power supply (metrology)	Lithium battery life 16 years
Battery power supply (modem)	GPRS and NB-IoT, lithium battery lifer 8 years
Approval	<ul style="list-style-type: none">• Compliance with European Standards EN1359 and OIML R137• Compliance with Italian Standard UNI-TS 11291• Installation in ATEX Zone 2 area
Class protection	IP 55
Firmware	remotely upgradeable in compliance with WELMEC 7.2

DIMENSIONAL FEATURES

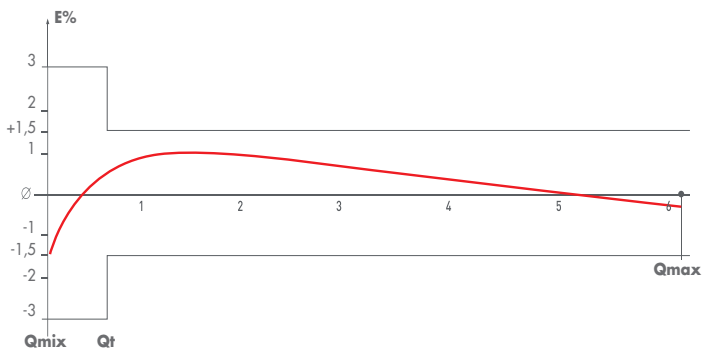
A	(mm)	110
B	(mm)	224
C	(mm)	203
D	(mm)	168,5
E	(mm)	100



PRESSURE LOSS CURVE



TYPICAL ERROR CURVE



For more options or information, please contact us

Product range



Rotary piston gas meters



Turbine gas meters



Gas pressure regulators



Electronic volume correctors



Diaphragm gas meters



Smart meters

metrixitalia

Metrix Italia s.r.l.

Via Nona Strada, 53 - 35129 Padova (Italy)

Tel: +39 049 5349377 - Fax: +39 049 8076008

www.metrixitalia.it - E-mail: info@metrixitalia.it