



ERG SERIES

SINGLE STAGE

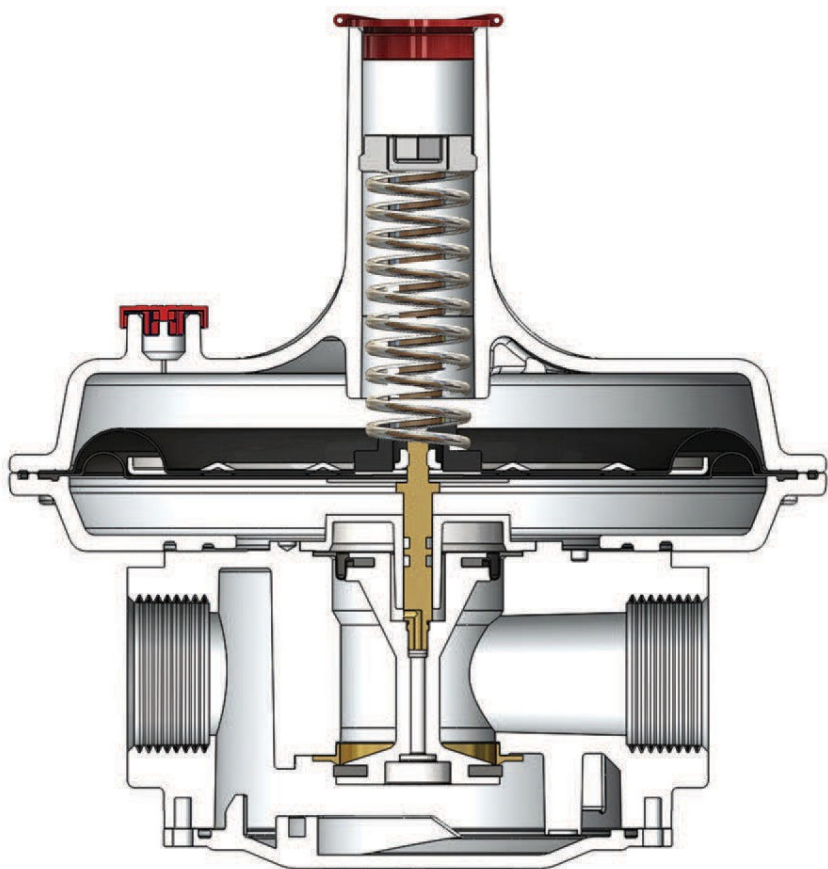
GAS PRESSURE REGULATOR

MAXIMUM PRESSURE 1 BAR

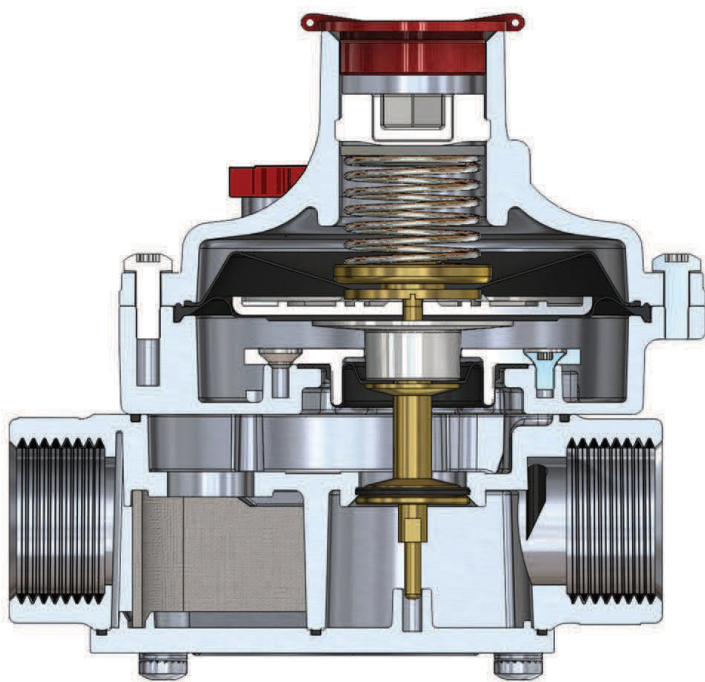
ERG

ERG series gas pressure regulators are used in gas lines to reduce the maximum inlet pressure by 1 bar to the desired outlet pressure between 16 and 150 mbar. The range of the outlet pressure can be set by choosing a different spring

Configurations



ERG 1032 – 1040 - 1050

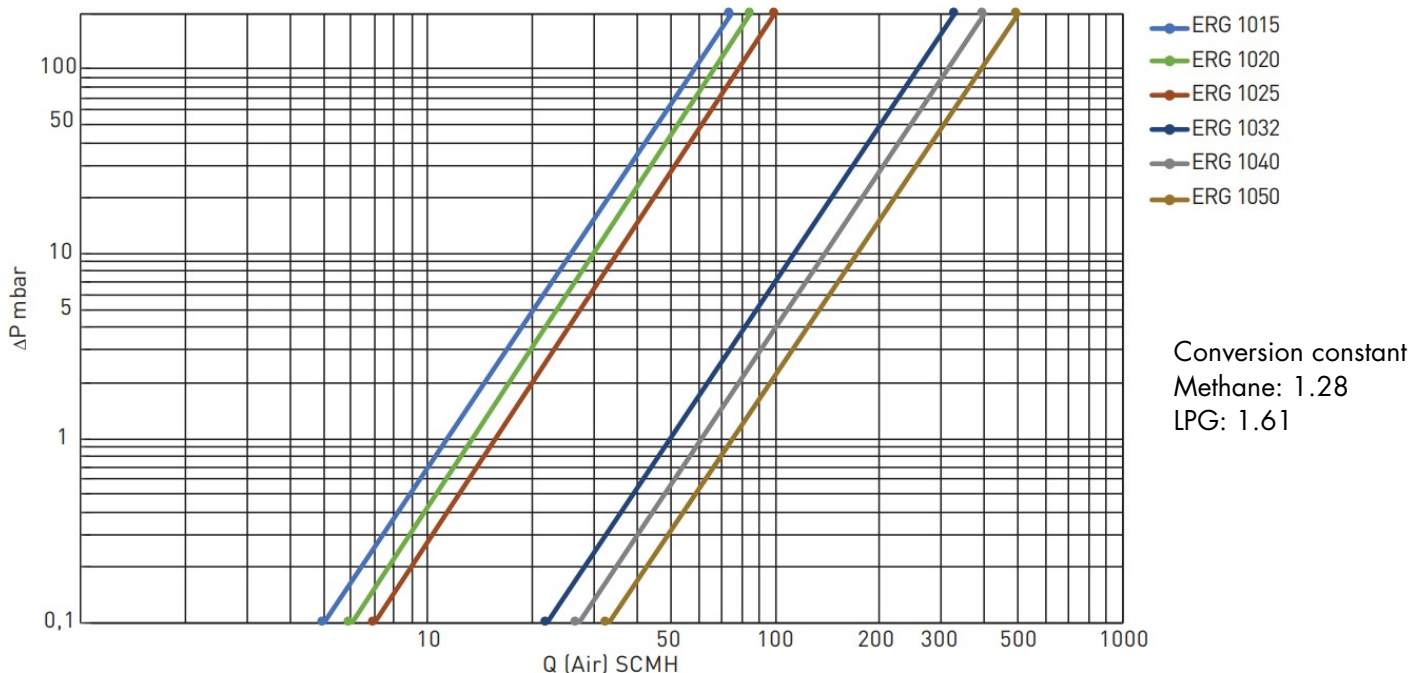


ERG 1015 – 1020 - 1025

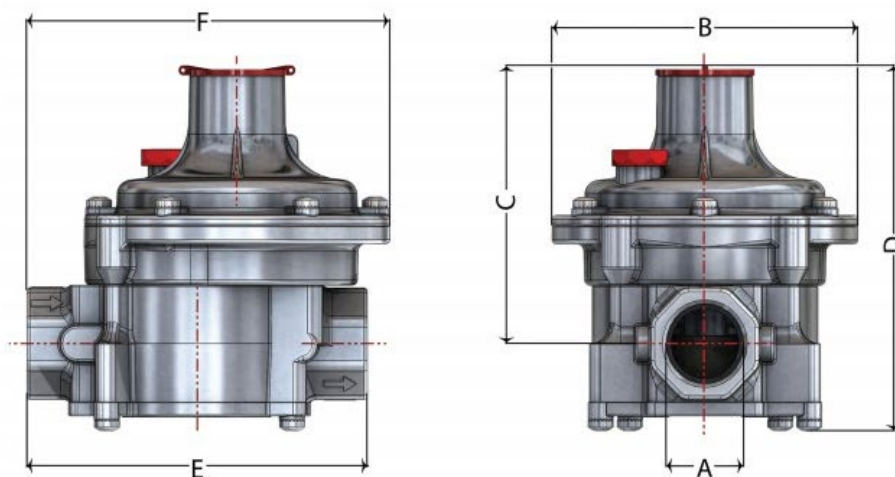
Technical Features

- Use: City gas networks and gas pipelines in industrial areas
- Types of gas: Non-corrosive gas, natural gas and LPG
- Pressure class: PN1
- Connections: 1/2 ", 3/4", 1 ", 1 1/4", 1 1/2 ", 2" (female) thread
- Upstream pressure range: 50 mbar up to 1 bar
- Downstream pressure range: 16 mbar up to 150 mbar
- Filter: optional
- Accuracy class: AC 10 ($\pm 10\%$) (on request AC5, AC15, AC20)
- Ambient temperature: -20°C up to 60°C (-40°C on request)
- Materials: Aluminum-EN 1706 / Brass-EN 12164 and EN 12165 / Rubber-EN 549
- Second Directives: 2014/68 / UE

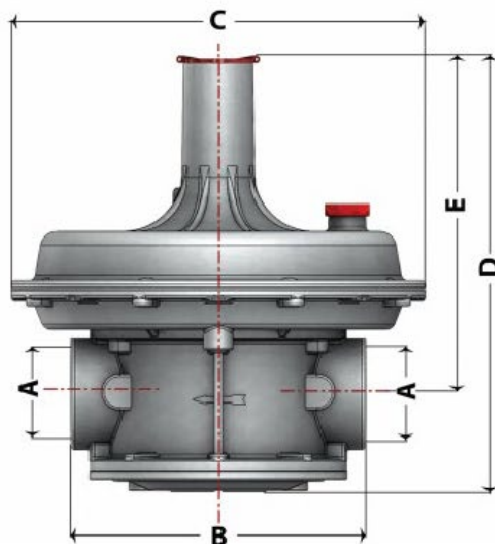
ERG SERIES CAPACITY GRAPH



Dimensions



MODEL	A	B	C	D	E	F
ERG 1015	1/2"	122	107	141	136	145
ERG 1020	3/4"	122	107	141	136	145
ERG 1025	1"	122	107	141	136	145



MODEL	A	B	C	D	E
ERG 1032	1 1/4"	160	225	237	183
ERG 1040	1 1/2"	160	225	237	183
ERG 1050	2"	162	225	259	192

Product range



Rotary piston gas meters



Turbine gas meters



Gas pressure regulators



Electronic volume correctors



Diaphragm gas meters



Smart meters