



EGF-H SERIES

GAS FILTERS
with threaded or flanged
connections

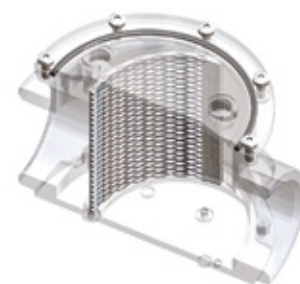
EGF-H

Introduction

EGF-H model gas filters are the elements that separates the dust particles carried by the gas or very small particles spread within the gas (for example: dust and rust), holds these and protects the burner, gas counter and adjustment devices which may possibly be damaged. Dust, woodchips, smut and other physical substances and dirt in the gas are held by the fiber. When the dust tank capacity is exceeded or a very high pressure difference effected, the filter loses its filter protection function. The filters are resistant against the mechanical and thermal stress that occur under operational conditions. The device must be kept away from rain and water as much as possible.



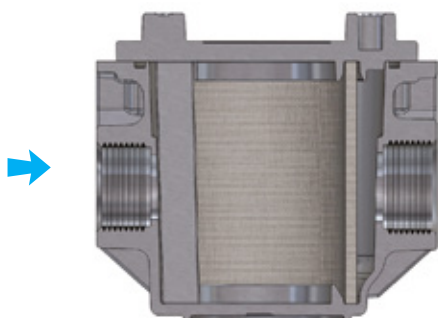
EGF-H 1015 - 1020 - 1025



EGF-H 1032 - 1040 - 1050

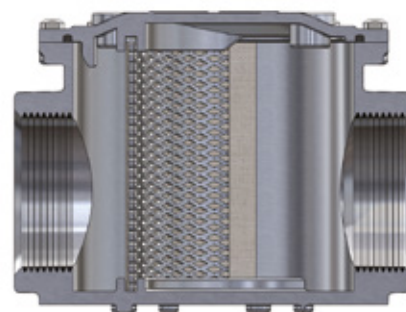
Configurations

In line



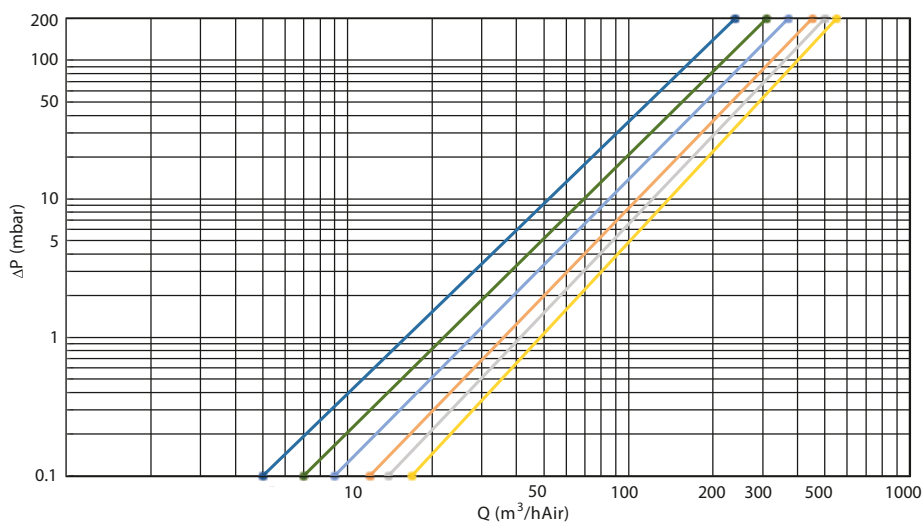
EGF 1015 - 1020 - 1025

In line



EGF 1032 - 1040 - 1050

EGF Series Capacity Graph



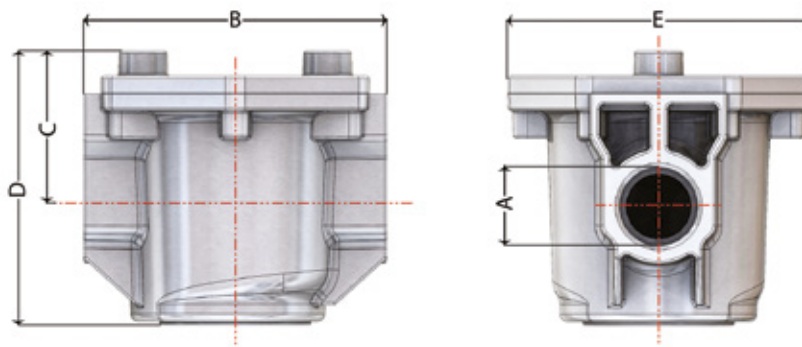
- EGF-H 1015
- EGF-H 1020
- EGF-H 1025
- EGF-H 1032
- EGF-H 1040
- EGF-H 1050

Conversion Constant
Methane : 1,28
LPG : 1,61

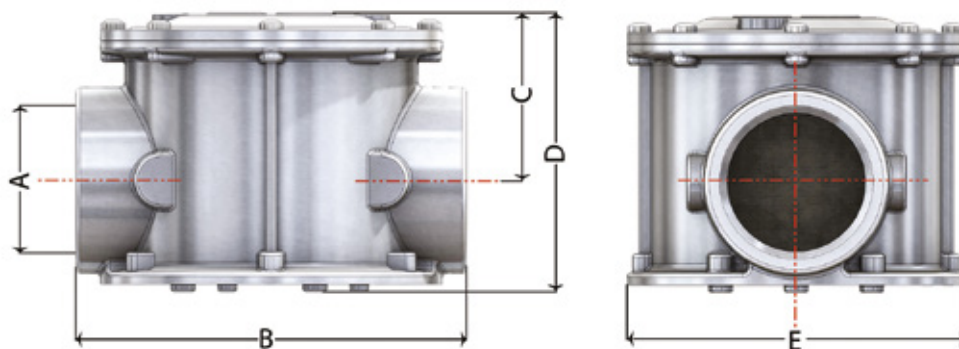
Technical Information

- Usage: City gas networks and gas pipelines in industrial areas
- Fluid type: Non corrosive gases such as natural gas (methane), LPG, town gas, air, etc...
- Pressure class: PN6
- Connection or Port size: 1/2", 3/4", 1", 1 1/4", 1 1/2", 2" threaded (female)
- Filter: Pore dimensions as standard 50 micron (5-10-20 microns on request)
- Ambient Temperature Range: -20°C up to 60°C
- Pressure Test Connection: 1/4" Threaded (Female)
- Material Standard: Aluminum EN 1706, Rubbers EN 549

Dimensions



MODEL	DN	A	B	C	D	E
EGF-H 1015	15	1/2"	120	61,5	108,5	120
EGF-H 1020	20	3/4"	120	61,5	108,5	120
EGF-H 1025	25	1"	120	61,5	108,5	120



MODEL	DN	A	B	C	D	E
EGF-H 1032	32	1 1/4"	160	53,5	91	140
EGF-H 1040	40	1 1/2"	160	53,5	91	140
EGF-H 1050	50	2"	160	68,5	114	140

Product range



Rotary piston gas meters



Turbine gas meters



Gas pressure regulators



Electronic volume correctors



Diaphragm gas meters



Smart meters

metrixitalia

Metrix Italia s.r.l.

Via Nona Strada 53 - 35129 Padova (Italy)

Tel: +39 049 5349377 - Fax: +39 049 8076008

www.metrixitalia.it - E-mail: info@metrixitalia.it