

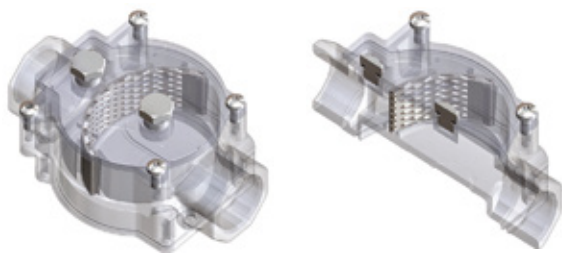


EGF SERIES

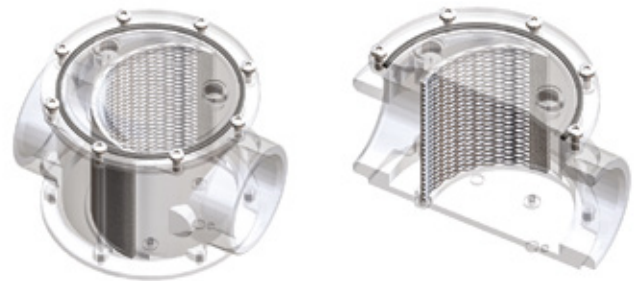
GAS FILTERS
with threaded
or flanged connections

Introduction

EGF model gas filters are the elements that separates the dust particles carried by the gas or very small particles spread within the gas (for example: dust and rust), holds these and protects the burner, gas counter and adjustment devices which may possibly be damaged. Dust, woodchips, smut and other physical substances and dirt in the gas are held by the fiber. When the dust tank capacity is exceeded or a very high pressure difference effected, the filter loses its filter protection function. The filters are resistant against the mechanical and thermal stress that occur under operational conditions. The device must be kept away from rain and water as much as possible.



EGF 1015 - 1020 - 1025



EGF 1032 - 1040 - 1050

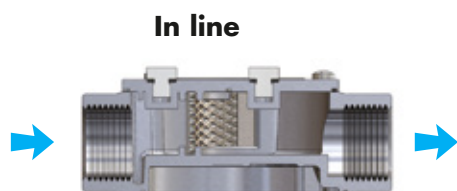


EGF 1065 - 1080 - 1100

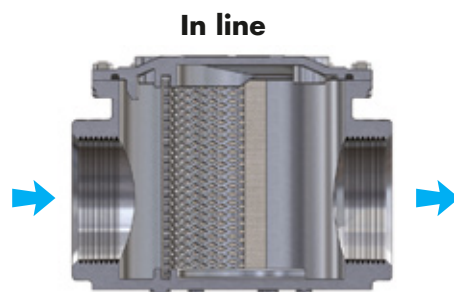
Technical Information

- Usage: City gas networks and gas pipelines in industrial areas
- Fluid type: Non corrosive gases such as natural gas (methane), LPG, town Gas, air, etc...
- Pressure class: PN1
- Connection or port size: 1/2", 3/4, 1", 1 1/4", 1 1/2", 2" Threaded (Female) and DN65, DN80, DN100 Flanged
- Filter: Pore dimensions as standard 50 micron (10-20 microns on request)
- Ambient temperature range: -20°C up to 60°C
- Pressure test connection: 1/4" Threaded (Female)
- Material standard: Aluminum EN 1706, Rubbers EN 549

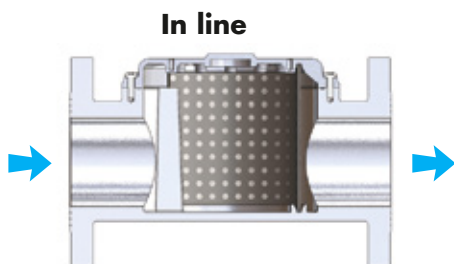
Configurations



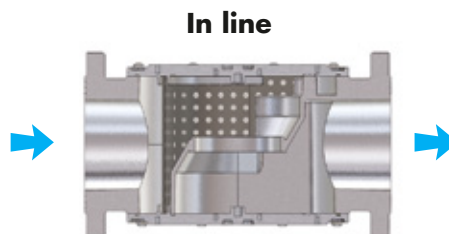
EGF 1015 - 1020 - 1025



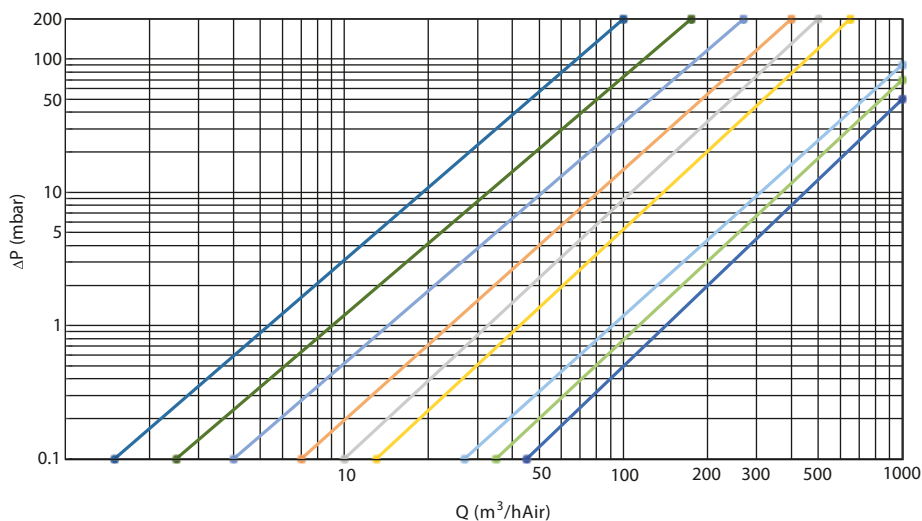
EGF 1032 - 1040 - 1050



EGF 1065 - 1080 - 1100



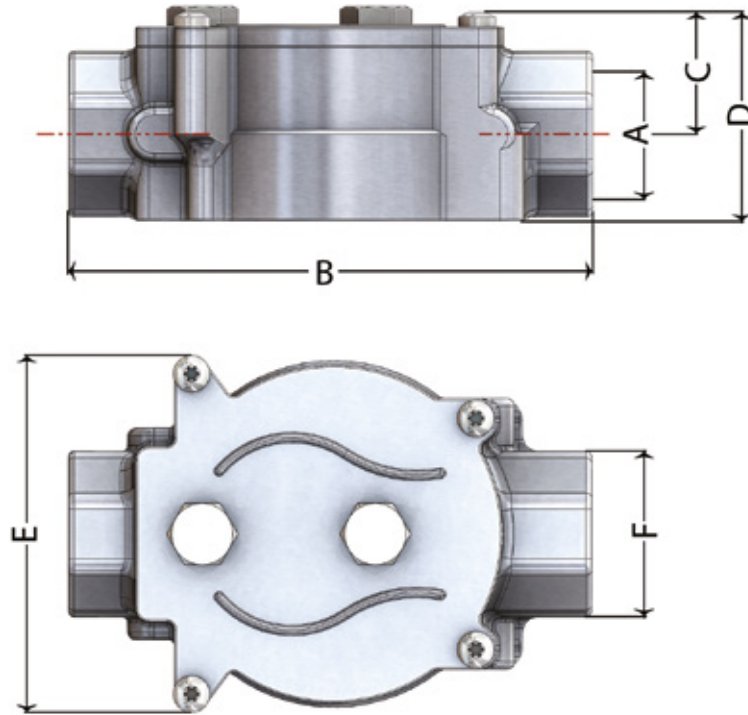
EFG Series Capacity Graph



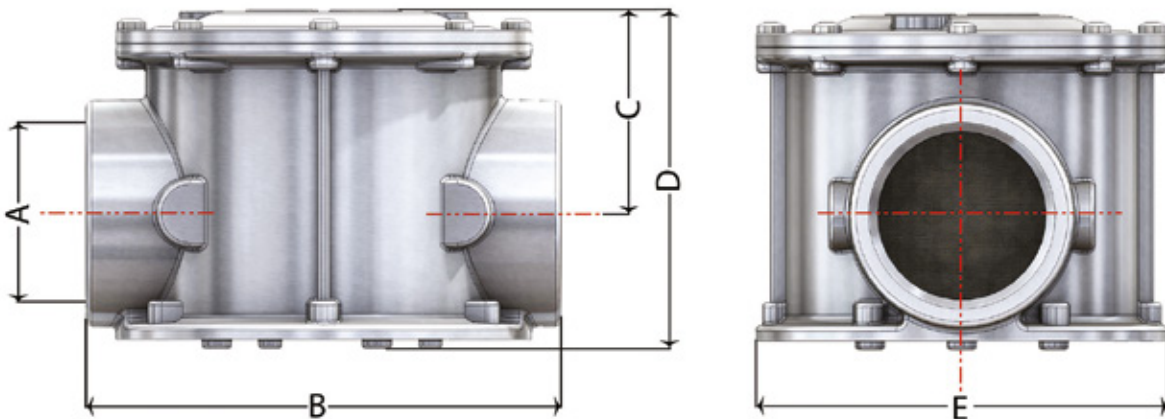
- EGF 1015
- EGF 1020
- EGF 1025
- EGF 1032
- EGF 1040
- EGF 1050
- EGF 1065
- EGF 1080
- EGF 1100

Conversion Constant
 Methane : 1,28
 LPG : 1,61

Dimensions

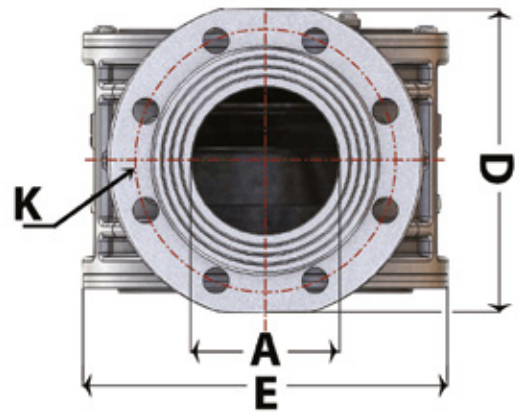
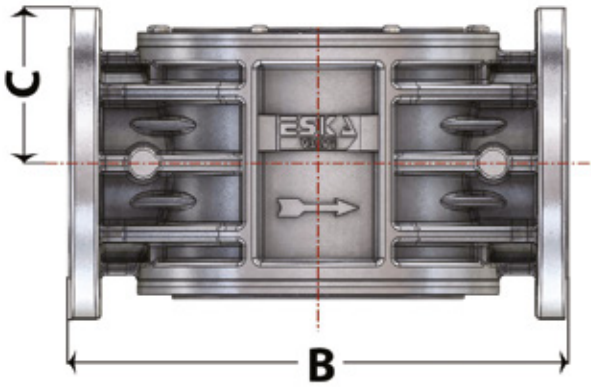
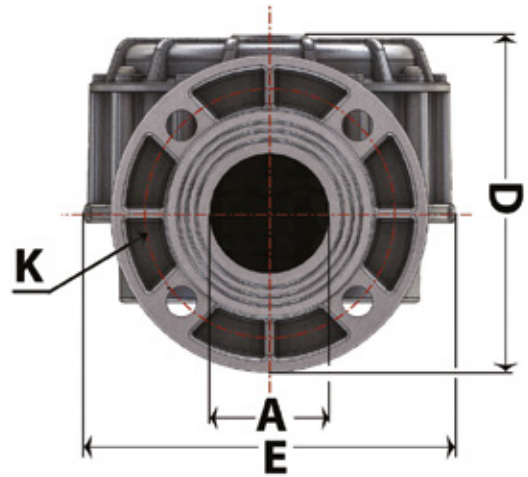
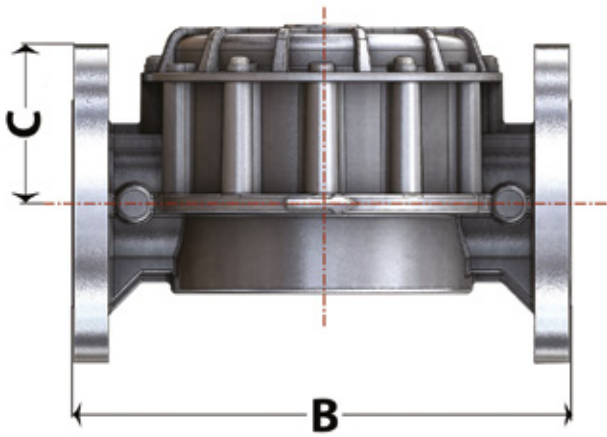


MODEL	DN	A	B	C	D	E	F
EGF 1015	15	1/2"	136	32	54,5	93	AA43
EGF 1020	20	3/4"	136	32	54,5	93	AA43
EGF 1025	25	1"	136	32	54,5	93	AA43



MODEL	DN	A	B	C	D	E
EGF 1032	32	1 1/4"	160	53,5	91	140
EGF 1040	40	1 1/2 "	160	53,5	91	140
EGF 1050	50	2"	160	68,5	114	140

Dimensions



MODELLO	DN	A	B	C	D	E	K	Numbers of holes
EGF 1065	65	70	290	104	195	216	145	4
EGF 1080	80	85	310	104	203	216	160	8
EGF 1100	100	100	350	105	220	254	180	8

Product range



Rotary piston gas meters



Turbine gas meters



Gas pressure regulators



Electronic volume correctors



Diaphragm gas meters



Smart meters

metrixitalia

Metrix Italia s.r.l.

Via Nona Strada 53 - 35129 Padova (Italy)

Tel: +39 049 5349377 - Fax: +39 049 8076008

www.metrixitalia.it - E-mail: info@metrixitalia.it