



ERG-E SERIES

SINGLE STAGE
PRESSURE REGULATOR

ERG-E

Gas pressure regulators of the ERG-E series are used in the gas distribution lines to reduce the maximum input pressure of 1 bar at the desired output pressure between 16 and 150 mbar. The output pressure range can be set by choosing springs of a different type. The regulator with lock valves stops the flow of gas if the pressure increases or decreases compared to the set values so as to ensure the safety of operation

Technical Features

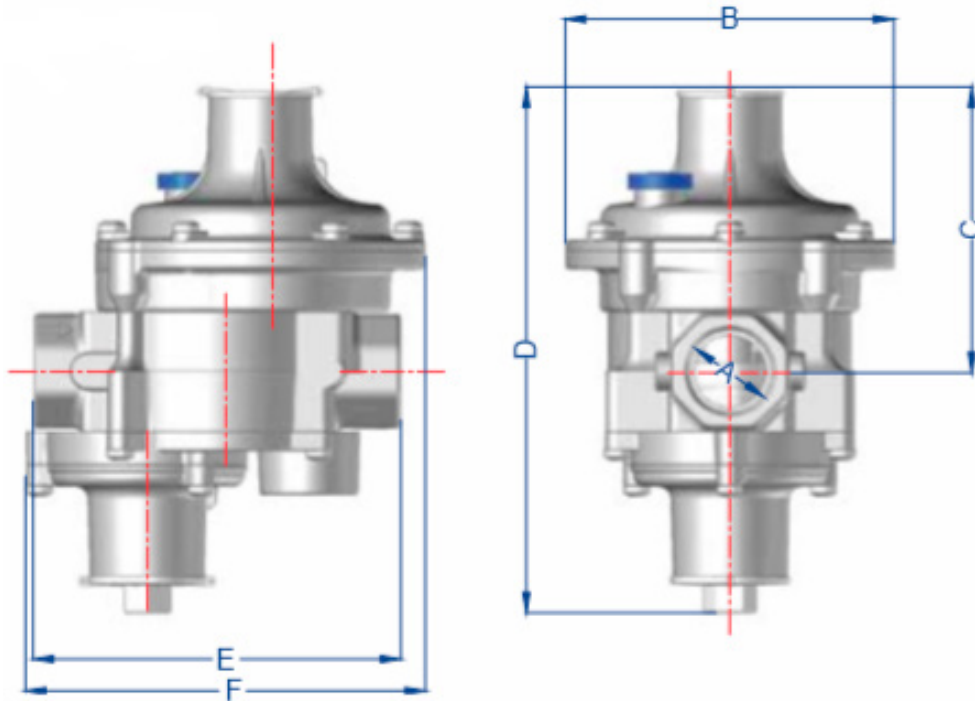
- Usage: domestic city networks and networks in industrial areas
- Fluid types: natural gas, LPG and non corrosive gases
- Pressure class: PN1
- Connections: 1/2", 3/4", 1", 1 1/4", 1 1/2", 2" Threaded (Female)
- Upstream pressure range: 50 mbar to 1 bar
- Downstream calibration pressure: 16 mbar up to 150 mbar
- Flow rate: 20-120 Stm3 / h
- Filter: 50 micron (10-20 microns on request)
- Stage Reduction: Single Stage
- Conformation of the body: in line
- Precision class: AC 10 ($\pm 10\%$) (On Request AC5, AC15, AC20)
- Overpressure closure: SG30 (+ 30%) (upon request SG10, SG20))
- Ambient temperature: - 20 ° C up to 60 ° C (on request - 40 ° C)
- Maximum pressure block (OPSO): 30 mbar up to 200 mbar
- Minimum pressure block (UPSO): 12 mbar up to 40 mbar
- Closing time: less than 1 second
- Construction materials: aluminum body and cover, nitrile rubber NBR membrane, springs in AISI 302
- Regulators comply with EN88-2 and UNI 8827 1-2 standards



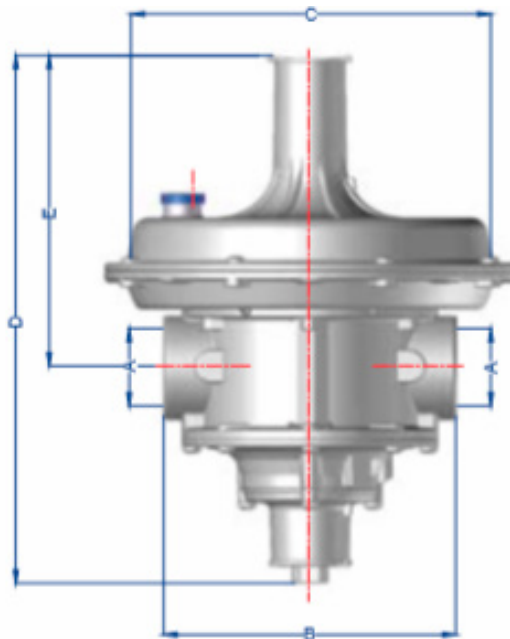
Flow (For natural gas)

MODEL	CONNECTIONS	WEIGHT	BOX DIMENSIONS (LxPxH cm)	PACKING (piece/pack)	PACK DIMENSIONS (LxPxH cm)	PACK WEIGHT (Kg)	TOTAL WEIGHT (Kg)
ERG-E 1015	1/2"	1,50 Kg	15,5x13x18	15	50x50x30	0,85	23,35
ERG-E 1020	3/4"	1,50 Kg	15,5x13x18	15	50x50x30	0,85	23,35
ERG-E 1025	1"	1,50 Kg	15,5x13x18	15	50x50x30	0,85	23,35
ERG-E 1032	1 1/4"	3,75 Kg	24x23x24	4	50x50x30	0,85	15,85
ERG-E 1040	1 1/2"	3,75 Kg	24x23x24	4	50x50x30	0,85	15,85
ERG-E 1050	2"	3,75 Kg	24x23x24	4	50x50x30	0,85	15,85

Dimensions



MODEL	A	B	C	D	E	F
ERG-E 1015	1/2"	122 mm	106 mm	198 mm	136 mm	146 mm
ERG-E 1020	3/4"	122 mm	106 mm	198 mm	136 mm	146 mm
ERG-E 1025	1"	122 mm	106 mm	198 mm	136 mm	146 mm



MODEL	A	B	C	D	E
ERG-E 1032	1 1/4"	160 mm	225 mm	237 mm	183 mm
ERG-E 1040	1 1/2"	160 mm	225 mm	237 mm	183 mm
ERG-E 1050	2"	162 mm	225 mm	259 mm	192 mm

Products range



Rotary piston gas meters



Turbine gas meters



Gas pressure regulators



Electronic volume converters



Diaphragm gas meters



Smart meters

metrixitalia

Metrix Italia s.r.l.

Via Nona Strada 53 - 35129 Padova (Italy)

Tel: +39 049 5349377 - Fax: +39 049 8076008

www.metrixitalia.it - E-mail: info@metrixitalia.it